

# EC MOTION

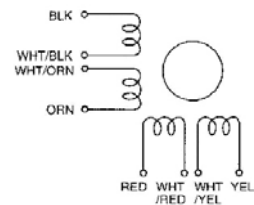
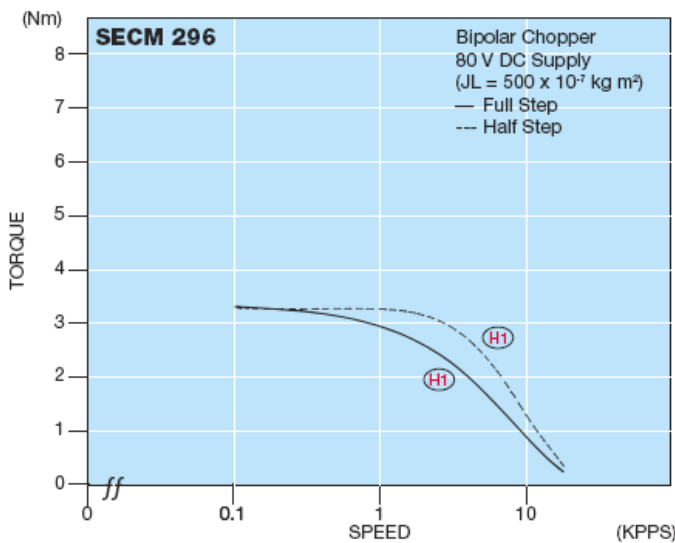
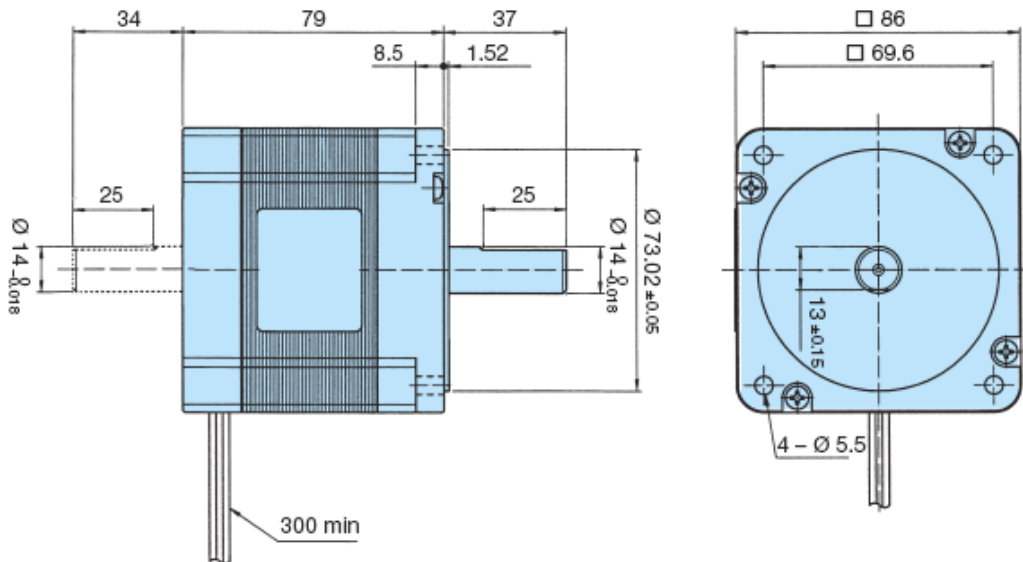


## SECM296... Serie 2-Phasen-Schrittmotor [1,8° High-Torque-Version]

Model AE = Single Shaft BE = Double Shaft	● Bipolar Parallel				● Bipolar Serial				● Unipolar				Torque Speed-curve
	Holding Torque [Nm]	Current/Phase [A]	Resistance/Phase [Ohm]	Inductance/Phase [mH]	Holding Torque [Nm]	Current/Phase [A]	Resistance/Phase [Ohm]	Inductance/Phase [mH]	Holding Torque [Nm]	Current/Phase [A]	Resistance/Phase [Ohm]	Inductance/Phase [mH]	
SECM296-E4.5 (AE/BE)	3.70	6.4	0.2	1.6	3.70	3.2	0.8	6.4	2.75	4.5	0.4	1.6	(H)

Number of Leads	Weight of Motor	Size Length	Rotor Inertia
8	2.1 kg	86 x 86 x 79 mm	1600 x 10 <sup>-7</sup> kgm <sup>2</sup>

Resistance / Phase ( $\Omega$ ) =  $\pm$  15%, Inductance / Phase (mH) =  $\pm$  20%



Planetengetriebe sind optional erhältlich



EC Motion GmbH - Auf den Steinen 20 - 41812 Erkelenz  
Tel.: +49 (0)2164-7014-0 - Fax. : +49 (0)2164-701419  
Internet: www.ec-motion.de - e-mail: info@ec-motion.de

