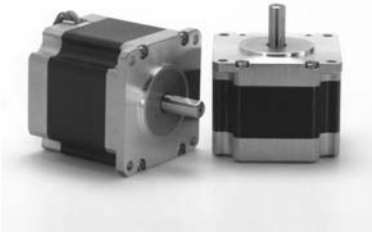


# EC MOTION

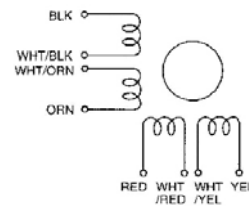
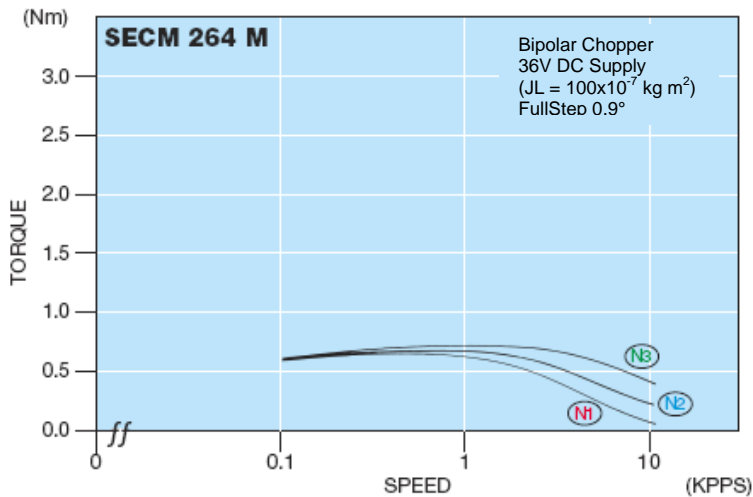
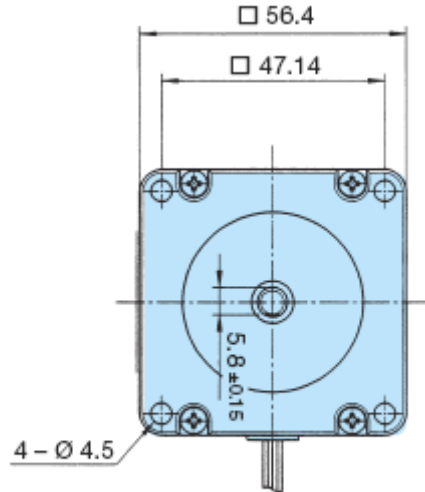
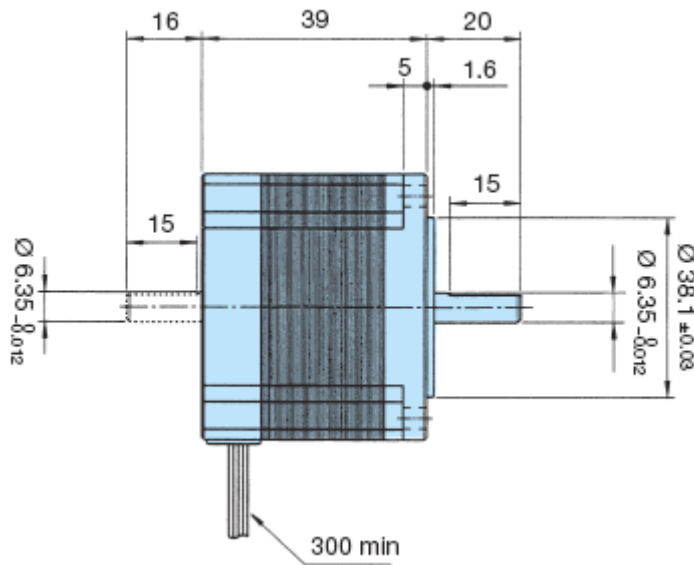


## SECM264M... Serie 2-Phasen-Schrittmotor [0,9° High-Torque-Version]

Model A = Single Shaft B = Double Shaft	● Bipolar Parallel				● Bipolar Serial				● Unipolar				Torque Speed-curve
	Holding Torque [Nm]	Current/Phase [A]	Resistance/Phase [Ohm]	Inductance/Phase [mH]	Holding Torque [Nm]	Current/Phase [A]	Resistance/Phase [Ohm]	Inductance/Phase [mH]	Holding Torque [Nm]	Current/Phase [A]	Resistance/Phase [Ohm]	Inductance/Phase [mH]	
SECM264M-E1.0 (A/B)	0.55	1.4	2.8	8.4	0.55	0.7	11.2	33.6	0.44	1.0	5.6	8.4	(N1)
SECM264M-E2.0 (A/B)	0.55	2.8	0.7	2.2	0.55	1.4	2.8	8.8	0.44	2.0	1.4	2.2	(N2)
SECM264M-E3.0 (A/B)	0.55	4.2	0.3*	0.9	0.55	2.1	1.2*	3.6	0.44	3.0	0.6*	0.9	(N3)

Number of Leads	Weight of Motor	Size Length	Rotor Inertia
8	0.45 kg	56.4 x 56.4 x 39 mm	145 x 10 <sup>-7</sup> kgm <sup>2</sup>

Resistance / Phase (Ω) = ± 10%, (\* ± 15%), Inductance / Phase (mH) = ± 20%



Planetengetriebe sind optional erhältlich



EC Motion GmbH - Auf den Steinen 20 - 41812 Erkelenz  
Tel.: +49 (0)2164-7014-0 - Fax.: +49 (0)2164-701419  
Internet: www.ec-motion.de - e-mail: info@ec-motion.de

