

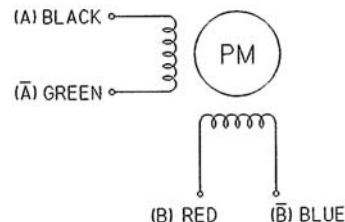
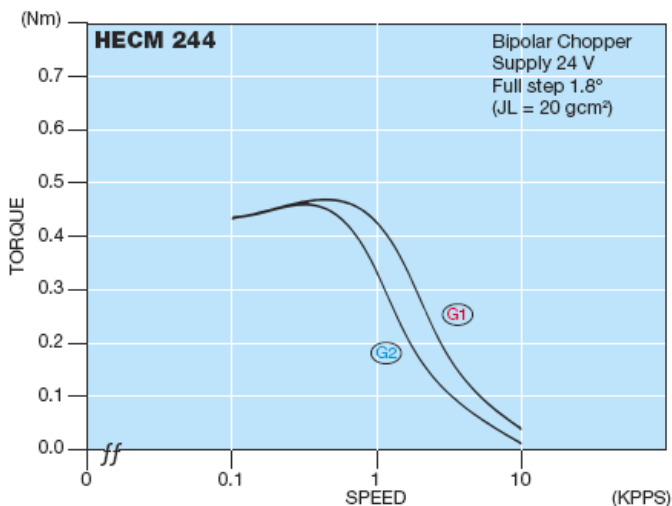
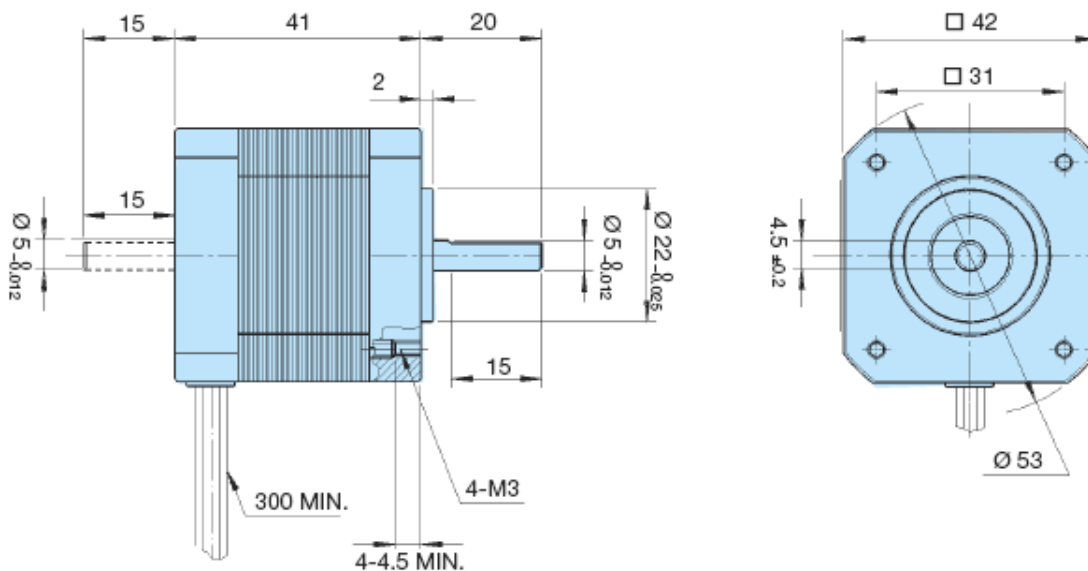
EC MOTION



Neue Generation von Schrittmotoren HECM244... Serie 2-Phasen-Schrittmotor [1,8° High-Torque-Version]

Model A = Single Shaft B = Double Shaft	● Bipolar Seriell				● Unipolar				Speed Torque
	Holding Torque [Nm]	Current / Phase [A]	Resistance / Phase [Ohm]	Inductance / Phase [mH]	Holding Torque [Nm]	Current / Phase [A]	Resistance / Phase [Ohm]	Inductance / Phase [mH]	
HECM244-F1.3 (A/B)	0.50	1.3	3.6	6.0	—	—	—	—	G1
HECM244-F0.9 (A/B)	0.50	0.85	8.0	14.0	—	—	—	—	G2

Number of Leads	Weight of Motor	Size Length	Rotor Inertia
4	0.25 kg	41 mm	57 x 10 ⁻⁷ kgm ²



Planetengetriebe sind optional erhältlich



EC Motion GmbH - Auf den Steinen 20 - 41812 Erkelenz
Tel.: +49 (0)2164-7014-0 - Fax.: +49 (0)2164-701419
Internet: www.ec-motion.de - e-mail: info@ec-motion.de

