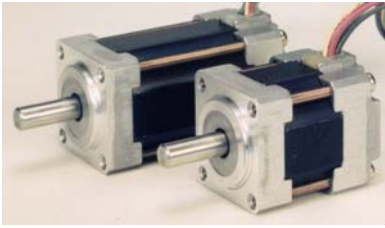


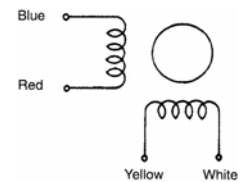
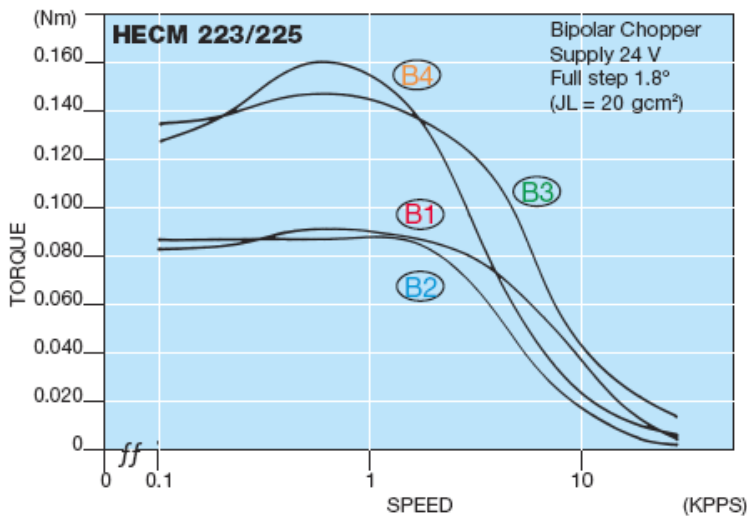
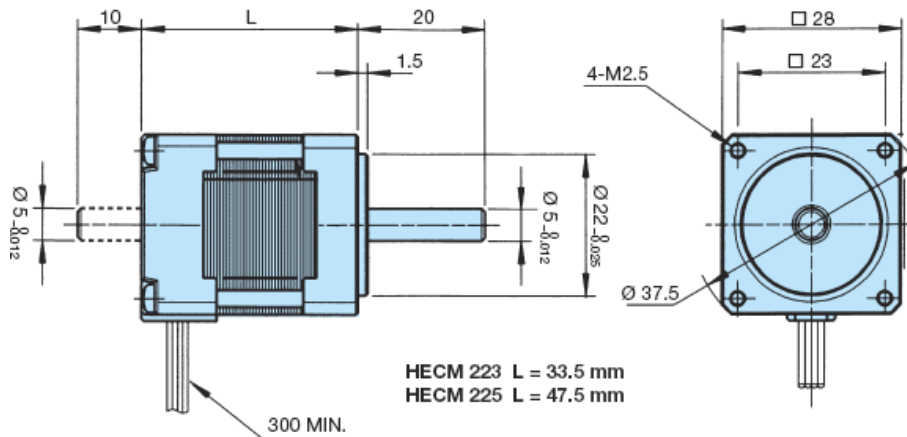
# EC MOTION



## Neue Generation von Schrittmotoren HECM223/225... Serie 2-Phasen-Schrittmotor [1,8° High-Torque-Version]

Model A = Single Shaft B = Double Shaft	● Bipolar Seriell				● Unipolar				Speed Torque
	Holding Torque [Nm]	Current / Phase [A]	Resistance / Phase [Ohm]	Inductance / Phase [mH]	Holding Torque [Nm]	Current / Phase [A]	Resistance / Phase [Ohm]	Inductance / Phase [mH]	
HECM223-F1.2 (A/B)	0.078	1.2	1.6	1.6	—	—	—	—	B1
HECM223-F0.7 (A/B)	0.078	0.7	4.2	3.9	—	—	—	—	B2
HECM225-F1.2 (A/B)	0.140	1.2	2.2	2.0	—	—	—	—	B3
HECM225-F0.7 (A/B)	0.140	0.7	6.2	5.7	—	—	—	—	B4

Number of Leads	Weight of Motor		Size Length		Rotor Inertia	
	HECM223	HECM225	HECM223	HECM225	HECM223	HECM225
4	0.12 kg	0.17 kg	33.5 mm	47.5 mm	$8 \times 10^{-7} \text{ kgm}^2$	$18 \times 10^{-7} \text{ kgm}^2$



EC Motion GmbH - Auf den Steinen 20 - 41812 Erkelenz  
Tel.: +49 (0)2164-7014-0 - Fax.: +49 (0)2164-701419  
Internet: www.ec-motion.de - e-mail: info@ec-motion.de

